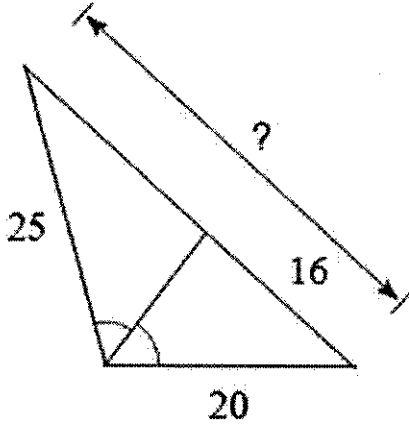


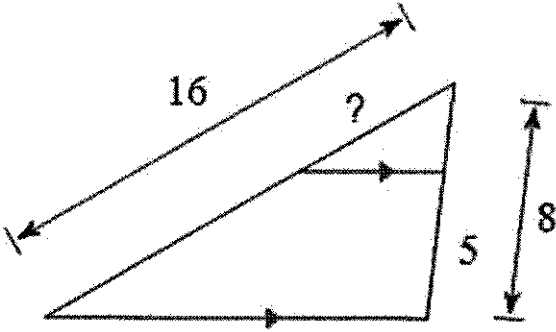
Card 1

PREVIOUS ANSWER
16



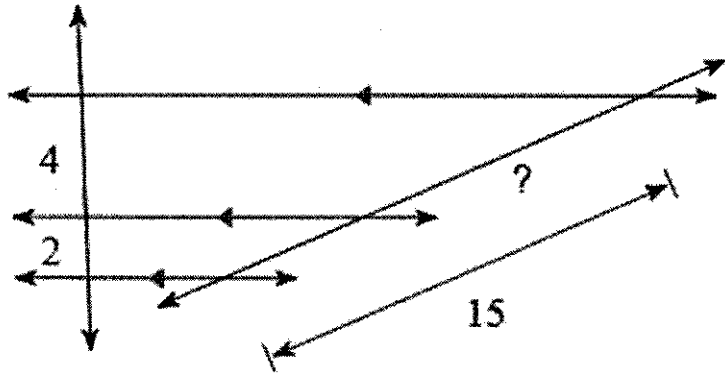
Card 12

PREVIOUS ANSWER
36



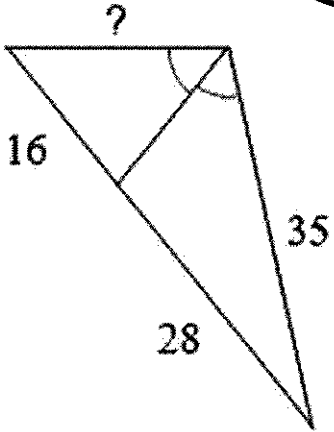
Card 3

PREVIOUS ANSWER
6



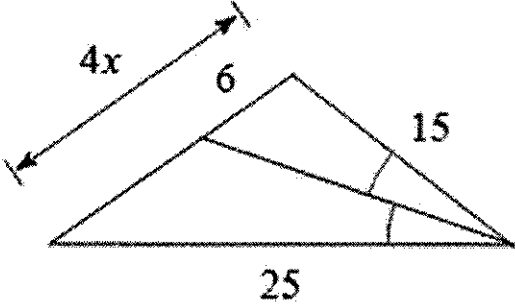
Card 6

PREVIOUS ANSWER
10



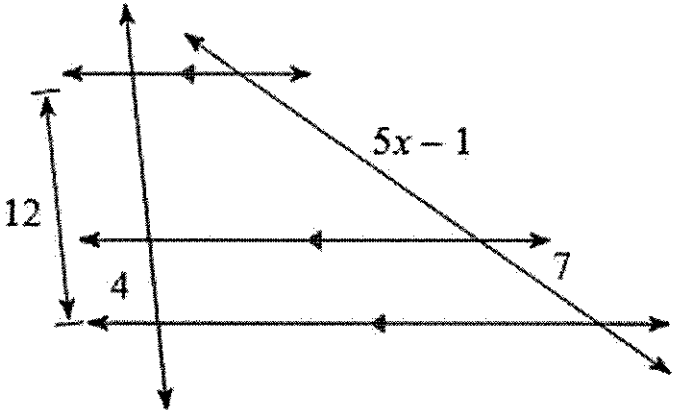
Card 8

PREVIOUS ANSWER
20



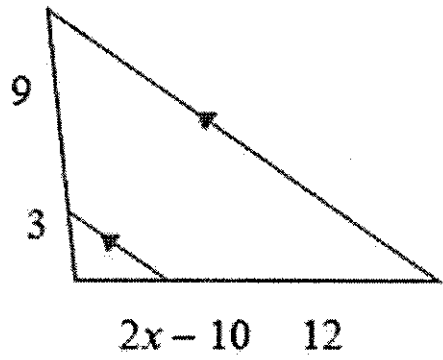
Card 11

PREVIOUS ANSWER
4



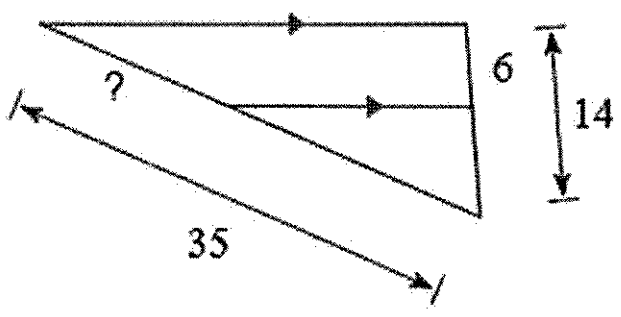
Card 2

PREVIOUS ANSWER
3



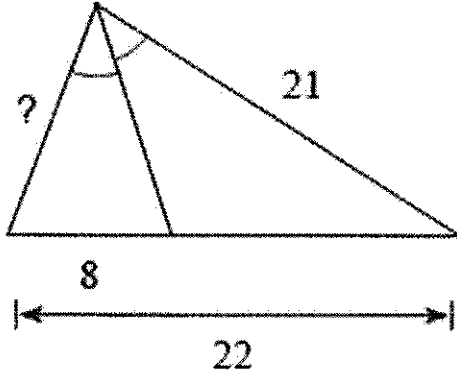
Card 5

PREVIOUS ANSWER
7



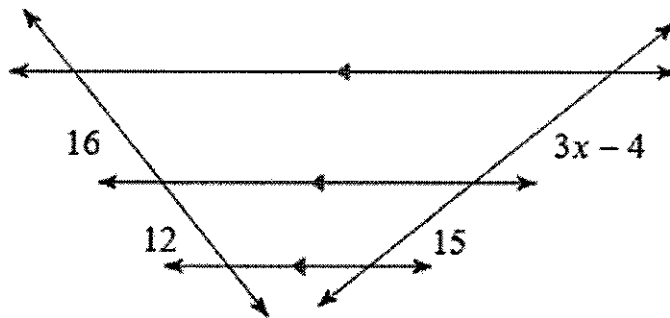
Card 10

PREVIOUS ANSWER
15



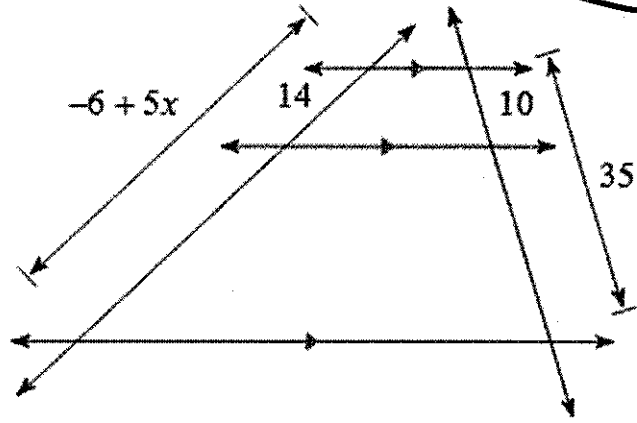
Card 4

PREVIOUS ANSWER
12



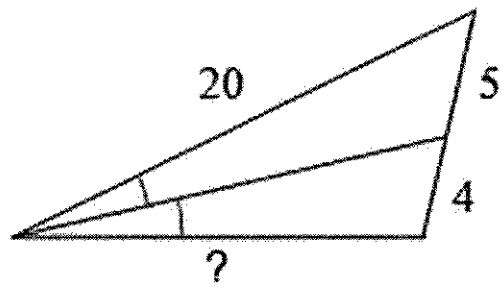
Card 9

PREVIOUS ANSWER
8



Card 7

PREVIOUS ANSWER
11





Name: _____

Scavenger Hunt - Similar
Triangles and Proportional Parts

Scavenger Hunt Answers

CARD 1 → CARD _____	CARD 2 → CARD _____
CARD 3 → CARD _____	CARD 4 → CARD _____
CARD 5 → CARD _____	CARD 6 → CARD _____

**THE HUNT
IS ON!***ANSWER SHEET***Scavenger Hunt Answers**

CARD 7 → CARD _____	CARD 8 → CARD _____
CARD 9 → CARD _____	CARD 10 → CARD _____
CARD 11 → CARD _____	CARD 12 → CARD _____